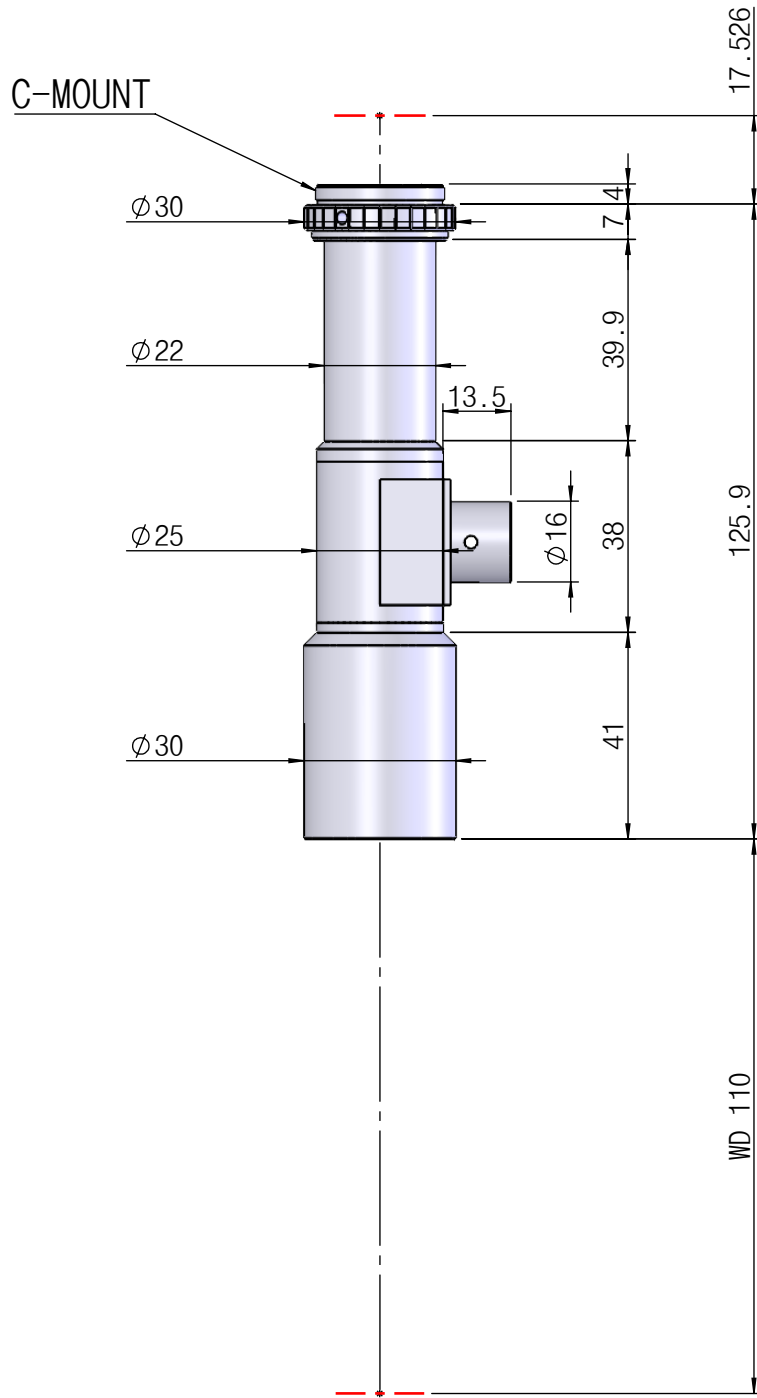



본 도면은 리스광시스템(주)의 자산이므로 허가없이 복제 및 외부 반출을 금함.
 This drawing and ideas are protected by LEES Optical System, Inc.



OPTICAL MAGNIFICATION	WD(mm)	DEPTH OF FIELD	RESOLUTION	NA	PARAXIAL WORKING F/#	F.O.V.	MOUNT
2.0X	110	± 0.125	4.19 μ m	0.08	12.5	4.4mmX3.3mm, 2/3" 3.2mmX2.4mm, 1/3"	C-MOUNT

CORPORATE NAME	MODEL (ON/COAXIAL)	SCALE
 SINCE 1999	TITLE	1:1.5
	TLW 110 SERIES	DIMENSIONS
	TLW110D-2.0X-HR	mm